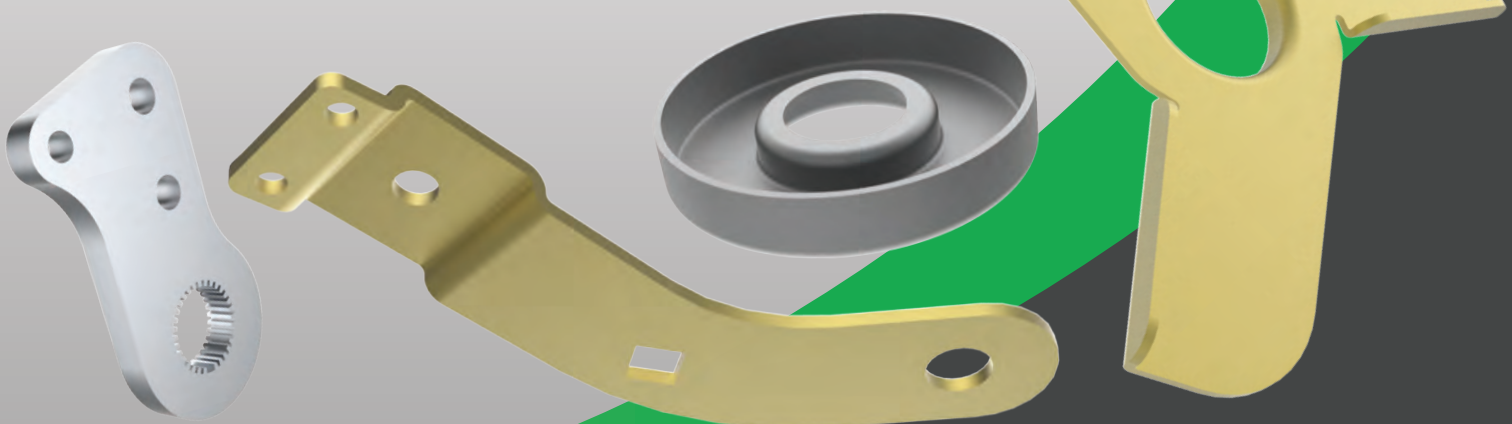
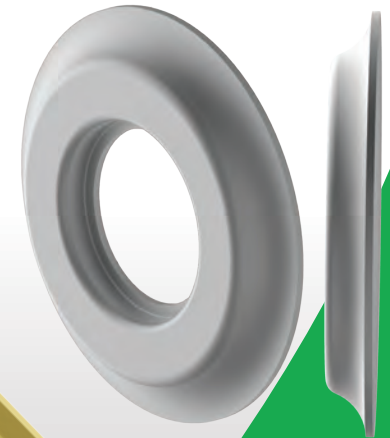
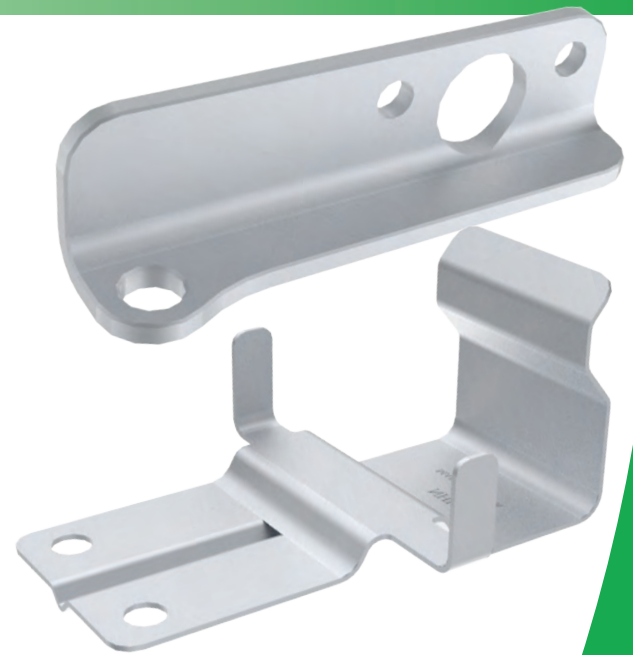


One of the many capabilities NHI offers is precision stamped metal products and services. We stamp a variety of components and also offer assembly services to meet your specific needs. Examples include brackets, frames, plates, sprockets, and pulleys. Applications include outdoor power equipment, material handling systems, farm & agricultural equipment, production machinery, appliances, and many others. NHI can also model, simulate, and test your designs to help you reach your production and quality goals.

**Tightly controlled tolerances
deliver predictable reliability**

**Highest economic value of
manufacturing methods while
maintaining the strength of metal**

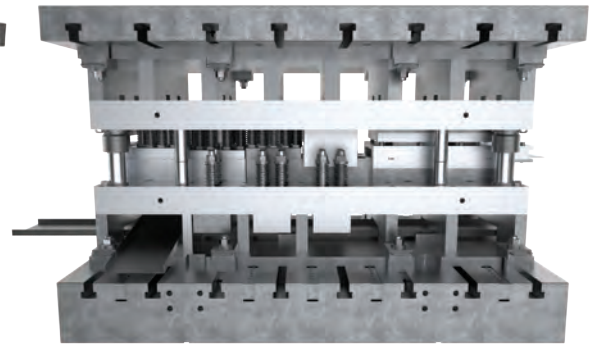
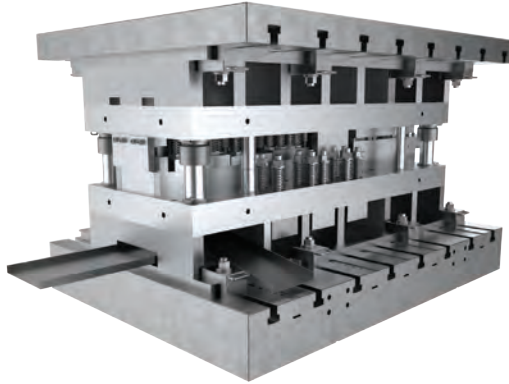
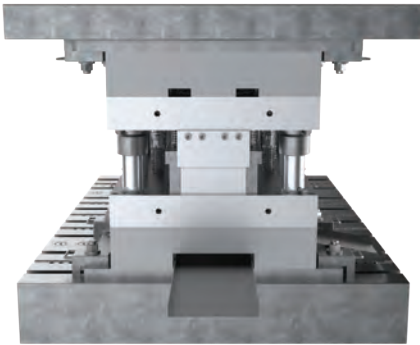
**Skilled in-house engineering staff
ready to assist with any project**



NHI has been a trusted manufacturer of both rugged and precision components for over 50 years. Our industry leading record of outstanding on-time delivery and product quality make NHI a reliable supplier and a dependable business partner. Quality, dependability and reliability are just a phone call away.

Call or Email NOW!
(800) 654-1090
sales@nhipulleys.com

Stampings



Sizes:

5 Ton to 300 Ton Presses
Material Thickness .030" - .125" (up to 18" strip width)
Max Material Thickness .250" (up to 9" strip width)
General Tolerance Capability .001"

Materials:

Carbon Steel, Galvanized Steel, Stainless Steel
Strip and Coils

Coatings/Finishes:

Iron Phosphate
Zinc Phosphate
Wet Spray
E-Dip
E-Coat
Powder Coat
Nickel Plating
Zinc Plating

We produce an array of stand-alone components, components that need secondary operations (i.e. broaching, bending, tapping, etc.) and components used in assemblies.

New Hampshire Industries (NHI) strives to be the premier global manufacturer of rugged mechanical power transfer products to industries like outdoor power equipment, material handling, power transmission, elevators and others. We accomplish this by constantly exceeding our customers' expectations in quality, delivery and service. We are committed to making our customers 100% successful, our employees 100% successful, maintaining a safe & clean work environment and operating in an environmentally & socially responsible way.



NHI-mfg.com

T: (800) 654-1090

F: (800) 448-5528

E: sales@nhipulleys.com

