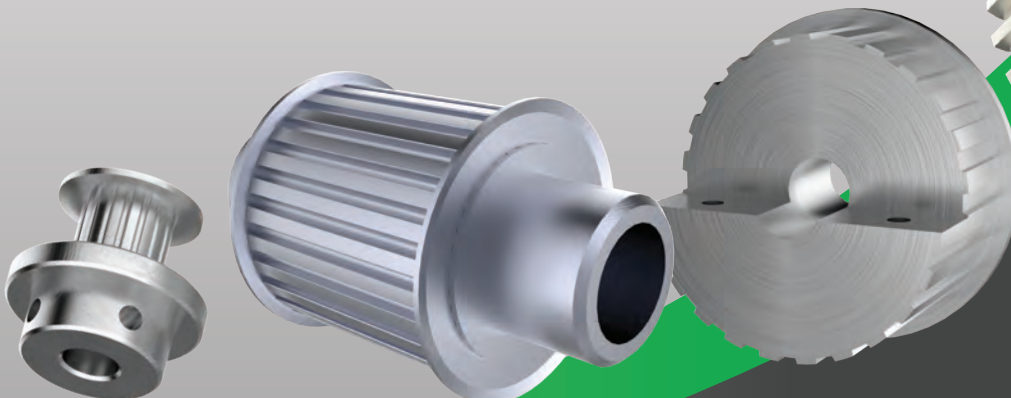


NHI precision machined pulleys, sprockets and gears as well as custom engineered designs and solutions will meet any need. We manufacture a vast array of synchronous products using modern technology and industry proven quality systems. Applications include lighting control systems, material handling systems, production machinery, transmissions, appliances, and many others. Let us model, simulate, and test your designs to help you reach your application objectives and get you to market more quickly.

**High quality materials & coatings
ensure dependability**

**Precision tolerances deliver
predictable reliability**

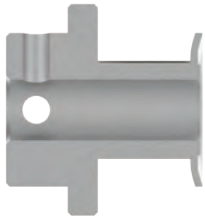
**Skilled in-house engineering staff
ready to assist with any design**



NHI has been a trusted manufacturer of both rugged and precision components for over 50 years. Our industry leading record of outstanding on-time delivery and product quality make NHI a reliable supplier and a dependable business partner. Quality, dependability and reliability are just a phone call away.

Call or Email NOW!
(800) 654-1090
sales@nhipulleys.com

Timing Pulleys



6FC



6F



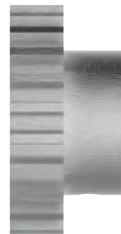
6



6W



3F



Sizes:

OD 0.5" – 9"

Length 0.25" – 8"

Teeth 9T – 220T

Diametrical Pitch Range 1.5 to 128

Radial Runout +/- .002"

General Tolerance Capability .0005"

Profiles:

AT, FHT, GT, H, HTD, L, MXL,
PC, PGGT, T, XL and more...

Materials:

Aluminum – 6061, 7075, etc.

Stainless – 308, etc.

Carbon Steel – 1215, 12L14, etc.

Plastic – Delrin, etc.

Cast Iron

Classifications:

6FC (1 hub, 1 flange, 1 cap)

6F (1 hub, 2 flanges)

6 (1 hub no flanges)

6W (1 hub, no flanges, webbed)

3F (no hub, 2 flanges)

Coatings/Finishes:

Phosphate

E-Dip

E-Coat

Anodize

Hardcoat Anodize

Nickel Plating

Zinc Plating

New Hampshire Industries (NHI) strives to be the premier global manufacturer of rugged mechanical power transfer products to industries like outdoor power equipment, material handling, power transmission, elevators and others. We accomplish this by constantly exceeding our customers' expectations in quality, delivery and service. We are committed to making our customers 100% successful, our employees 100% successful, maintaining a safe & clean work environment and operating in an environmentally & socially responsible way.



NHI-mfg.com

T: (800) 654-1090

F: (800) 448-5528

E: sales@nhipulleys.com

